



20-40 Series Coupler Hook Mounting Instructions



Rev. 10/13

Rylind Manufacturing, Inc.
2801 Youngfield St
Suite 250
Golden, CO 80401

Phone : 303-979-3548
Fax : 303-979-4730
www.Rylind.com
Info@rylind.com

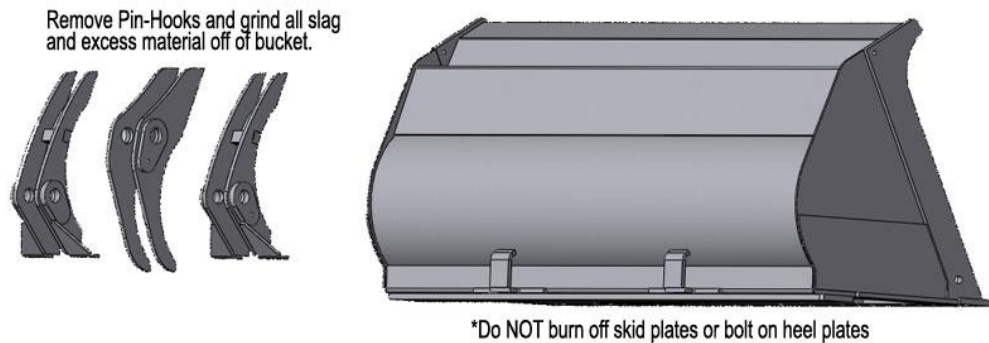
- Thank you for purchasing a Rybind Attachment. For proper installation and operation for your Rybind Attachment this book **SHOULD BE READ COMPLETELY BEFORE BEGINNING INSTALLATION OR OPERATION OF THE EQUIPMENT.**
- Your safety and the safety of others depend on the proper installation, operation, maintenance, and understanding in the use of this equipment.
- Some photographs and installations in this manual may show details of this attachment that may be slightly different from your unit.
- Continuing improvements and advancements of this product may occur at any time.
- Any unauthorized modification to this product or lack of maintenance, proper use, or unsafe operating techniques will not be covered under warranty, further more Rybind Manufacturing reserves the right to void the warranty on some or all the equipment installed on that unit.
- If any questions arise during installation or maintenance of your product please consult your dealer or contact Rybind Manufacturing's corporate offices.

Thank you for your business.

PROCEDURE FOR MOUNTING FLAT BACK WL30 OR PL20 COUPLER HOOKS ON AN EXISTING BUCKET

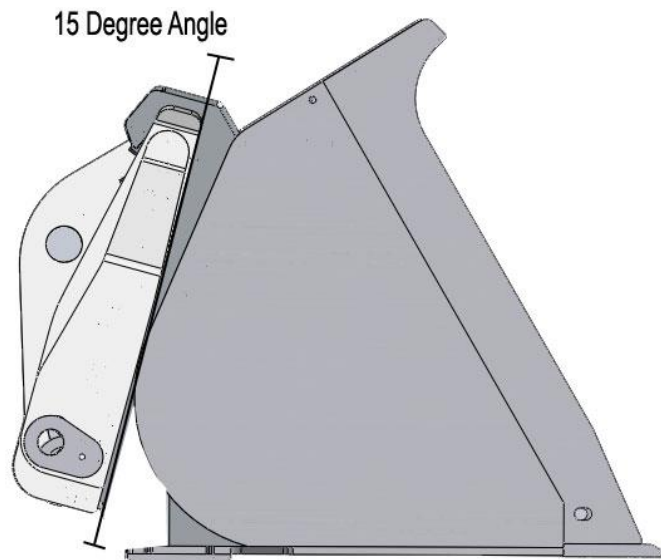
(SNOW PLOW FLAT BACK MOUNTING ON PAGE 8)

1. Before removing the OEM bucket from the loader, set it on a level hard surface. Measure and record the vertical distance from ground level to the center of the lower boom pin. (Must have at least 6-1/2" minimum height from ground to center of locking pins or top of wedge pocket.)
2. Detach the bucket and cut the pin on mounting flanges off. Grind excess material and paint until flush with the bucket. **DO NOT REMOVE** Heel Plates [Image A]



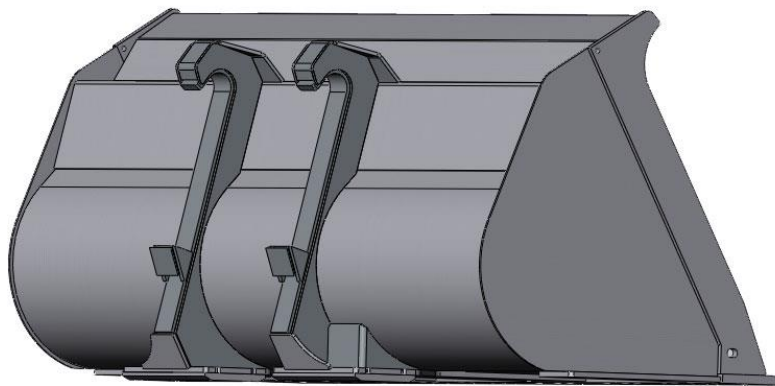
(A)

3. With the male coupler on the loader, mount the hooks on the coupler and lock the pins. Adjust the lower boom pin height to match that found in step 1. Tilt the coupler 15 degrees forward. Be sure the hooks are square with the bottom of the bucket. Recheck height, centering, and square. [Image B]



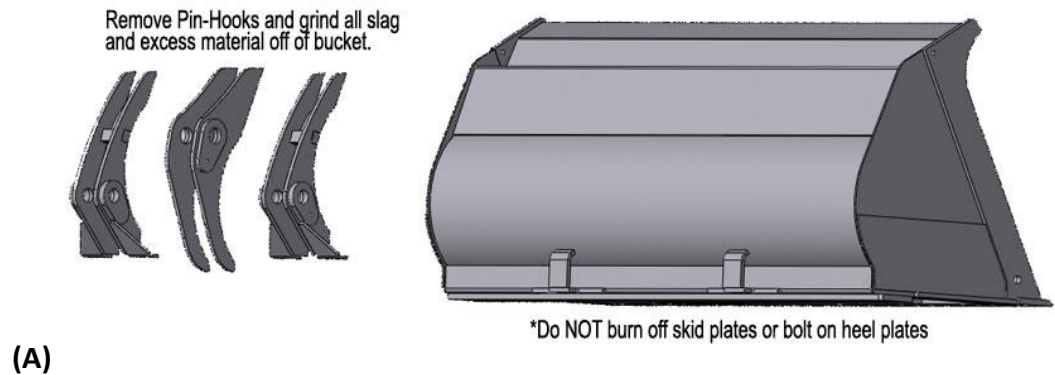
(B)

4. Tack weld hooks to bucket. Disconnect the hooks from the coupler and back the loader away carefully not to move coupler hooks. If a coupler or loader is not available the hooks can be mounted using a 4" OD pipe in the top of both hooks to hold them flat and parallel. The mounting height is determined by the make of the loader to be used. If this measurement is not provided call Ryland Manufacturing, Inc. 303-979-3548
5. Cut gussets to fill the space between hook and bucket. Tack weld gussets (14" to 16" wide) from the top stiffener plate to the top of each hook. Also use a gusset to span from the bottom of the hooks to the lower shell and skid plates. See Illustration.

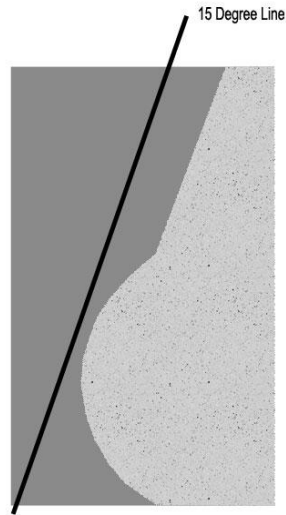


PROCEDURE FOR MOUNTING PL20B OR WL30B COUPLER HOOKS ON AN EXISTING BUCKET

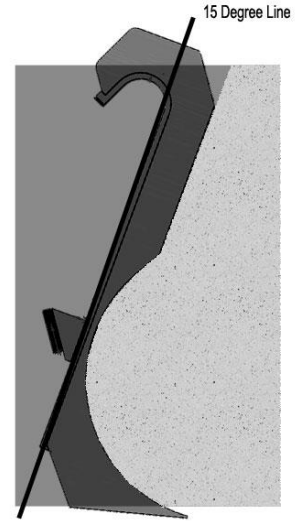
1. Before removing the OEM bucket from the loader, set it on a level hard surface. Measure and record the vertical distance from ground level to the center of the lower boom pin. (Must have at least 6-1/2" minimum height from ground to center of locking pins or top of wedge pocket.)
2. Detach the bucket and cut pin on mounting flanges off. Grind excess material until flush with the bucket. DO NOT REMOVE Heel Plates [Image A]



3. With the bucket level and on the ground use a piece of cardboard to create a template of the curvature of the back of the bucket. Keep the template square and level on the ground. Draw a 15 degree line on the excess material of the cardboard. The line can be tangent to the bucket shell. [Image B]
4. Attach coupler to the loader. Adjust the height of the lower boom pin to match that as recorded in Step 1. Tilt the coupler 15 degrees forward. (8-1/2" in 31-5/8" as measured from the center of the lock pins or the top of wedge pockets.)
5. Using the measurements from Step 4, transfer the cardboard template to the PL20B or the WL30B mounts purchased. (Image C)

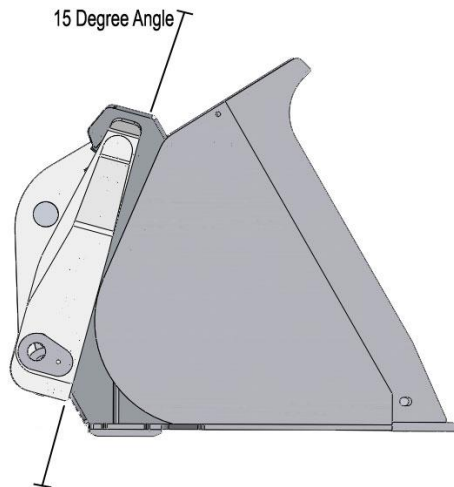


(B)



(C)

6. With the male coupler on the loader place mount the hooks on the coupler and lock the pins. Adjust the lower boom pin to match that found in step 1. Tilt the coupler 15 degrees forward. Be sure the hooks are square with the bottom of the bucket. Recheck height, centering, and square. (Image D)

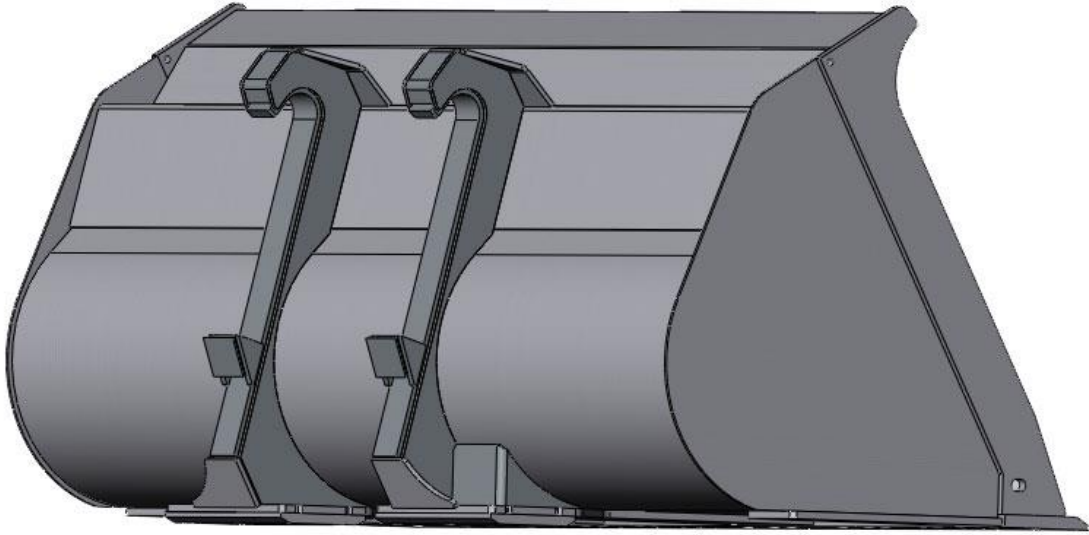


(D)

7. Tack weld hooks to bucket. Disconnect the hooks from the coupler and back the loader away carefully not to move coupler hooks. If a coupler or loader is not available the hooks can be mounted using a 4" OD pipe in the top of both hooks to hold them flat and parallel. The mounting height is determined by the make of the loader to be used. If this measurement is not provided call Ryland Manufacturing, Inc. 303-979-3548

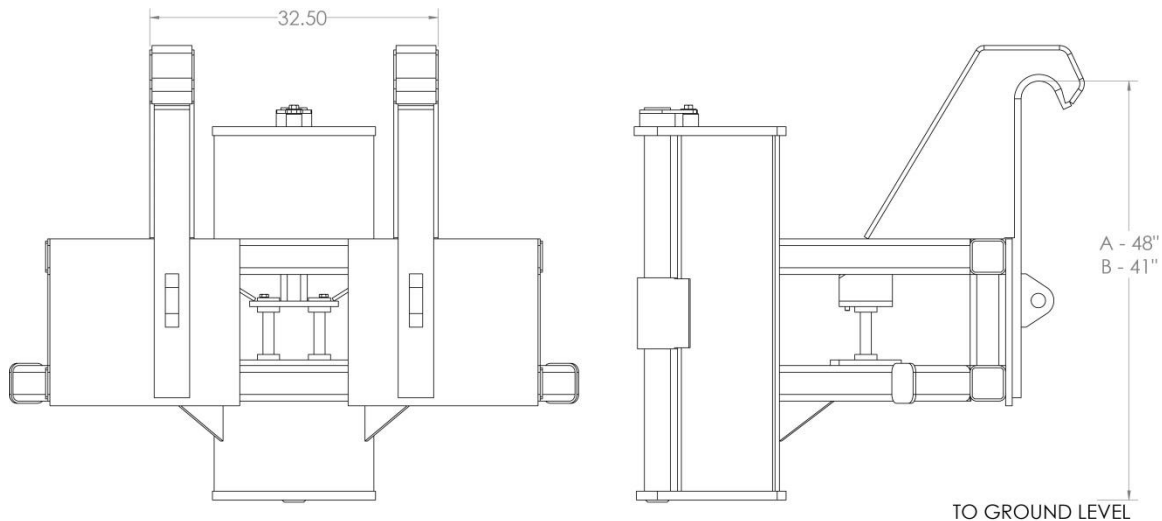
8. Cut gussets to fill in any remaining spaces between hooks and bucket. Weld gussets (14" and 16" wide) from the stiffener plate to the top of each hook. Also fill in any

gussets to span from the bottom of the hooks to the lower shell and skid plates. Recheck with coupler before welding solid. [Image E]



(E)

PROCEDURE FOR MOUNTING FLAT BACK PL20 OR WL30 HOOKS ON AN EXISTING PLOW OR FLAT BACK ATTACHMENT



A = MOTOR GRADER MINIMUM HEIGHT

B = WHEEL LOADER MINIMUM HEIGHT

If attachment is going to be used on a Motor Grader Lift Group then use Measurement A as a minimum height requirement. If attachment is going on a Wheel Loader Coupler then use Measurement B as a minimum height requirement.

*If your attachment is a Plow or Dozer you should always use Measurement A to allow for the plow to be lowered far enough to accommodate edge wear.

*When mounting hooks make sure the attachment is on a flat level surface, and mount the hooks parallel and plum with each other. This can be done by using a 4" OD pipe in the top hook and squaring the mounts. Tack weld hooks in place securely then test on your Motor Grader or Wheel Loader to insure correct placement. Make sure the hook is well supported so that bending will not occur. When you are satisfied with the mounting of the coupler hooks complete the welding and paint.



Business Offices Only
2801 Youngfield St
Suite 250
Golden, CO 80401

P) 303-979-3548
F) 303-979-4730
www.Rylind.com
Info@rylind.com

LIMITED WARRANTY

Rylind Manufacturing Inc. Is a company related to and having the responsibility for the manufacturing, marketing, and distribution of the product line known by the registered trade name "Rylind"

Rylind Manufacturing, Inc. warrants these products to be free of defects in material and/or workmanship for a period of one (1) year or 2,000 hours from the date of purchase under normal use and service providing that:

- A. All products and related components are installed properly according to instructions and that proper maintenance and greasing of movable parts is completed on a regular basis.
- B. The attachment products and related components are used only for the purpose for which they were intended as designated by the manufacturer and that the rated capacities are not exceeded.
- C. This is a "PARTS ONLY" warranty for defects in hydraulic components not typical maintenance parts (i.e. seal kits, hydraulic hoses, cylinders, or vendor supplied valves). This means the hydraulic part will be replaced freight prepaid from the factory. Travel time or labor to replace the defective component is "NOT" included in this warranty. Return of the defective parts for inspection may be requested.
- D. Hydraulic kits and components are warranted for one (1) year from invoice date. Cylinders must be returned in their entirety and not have been disassembled to be considered for warranty. After warranty replacement parts include cylinders, hydraulic valves, seal kits, electric components, and wear parts are warranted for 90 days from the date of purchase. Disassembly, modification or welding of any kind without the written permission of Rylind Manufacturing voids the warranty on the cylinder and seals. All warranty components must be packaged and sealed to avoid contaminants from entering during shipping. Improperly packaged components will not be considered for warranty. Hydraulic hoses are warranted against failure due to workmanship. Improper installation, ripping, cutting, or wear due to rubbing is not covered under warranty.
- E. Defects in materials and/or workmanship with respect to welding or structural failures will be paid at a rate not to exceed 70% of the advertised charge out rate. Repairs must be authorized by Rylind before work proceeds. Travel time or mileage is "NOT" included. All warranty work to be performed must be authorized by Rylind Manufacturing, Inc. Repair or replacement will be at our discretion. Estimates of the total costs involved must be given to us before proceeding with any work involving a Rylind product. No warranty will apply to products that have been modified or repaired without our authorization. Normal wear and tear will not be considered as a defect. Accidents, misuse or negligence does not justify warranty. This warranty does not

include or cover purchased subassemblies including, but not limited to, teeth, fork tines, cylinders, wear plates, edges, etc... Such purchased subassemblies are covered only by the OEM's warranty, if any, of their respective manufacturer, and not Rybind Manufacturing.

F. Limitations

- a. This limited warranty does not cover product, which in the opinion of Rybind, is damaged due to abuse, misuse, misapplication, prohibited operation, improper maintenance, alteration, unauthorized service, contamination by the base machine, or normal wear and tear. This warranty is null and void if the product is modified in any way without the written consent or instruction of Rybind.
 - b. This limited warranty is null and void if the product is used in a prohibited operation, or unauthorized adjustment/assembly/disassembly has occurred.
 - c. Dealers or Agents of Rybind have no authority to make any type of representation or warranties on behalf of Rybind Manufacturing beyond those expressly set forth in this document.
 - d. This warranty is in lieu of and excluding all other warranties preceding it including and without limitation to any implied warranties of merchantability or fitness for a particular purpose.
- G. In no event shall Rybind be liable to any party, including but not limited to buyer for any direct, incidental, consequential, punitive, or special damages, including but not limited to loss of profits, loss of productivity, in any way related to or arising, directly or indirectly from the product. The liability of Rybind for any and all losses and damage to buyer, its successors and assigns, resulting from any cause whatsoever, including the negligence of Rybind, irrespective of whether such defects are discoverable or latent, shall in no event exceed the purchase price of the product with respect to which such losses or damages are claimed.
- H. All returned products must be shipped to the following address to avoid any delay or expense in the warranty process:

Rybind Manufacturing, Inc.
Warranty/Service Department
16178 Front Ave
Atwood, CO 80722